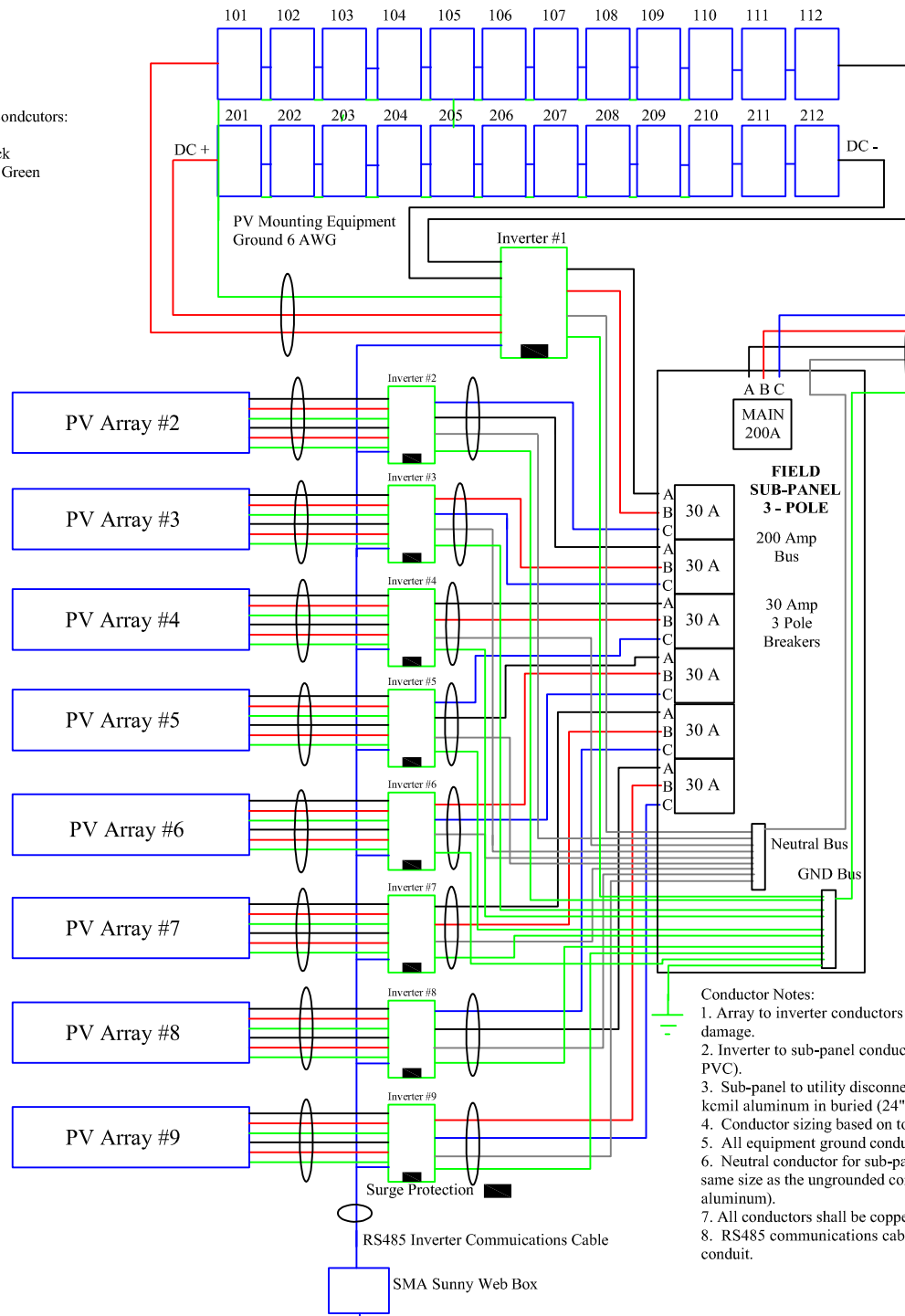


PV Array #1

PV DC Conductors:
 PV+ Red
 PV - Black
 Ground - Green



PV System Notes:

1. 9 PV arrays of 24 - 245 watt Solar World modules, each consisting of 2 strings of 12 modules.
2. Each array feeds a 5000 watt SMA 5000US 208 volt inverter.
3. Each module and string grounded and connected to 6 AWG ground conductor.
4. Inverters are field mounted on module mounting system. Each array string is combined in the inverter and protected with 15A fuse.
5. Inverter AC outputs connect to field mounted sub-panel.

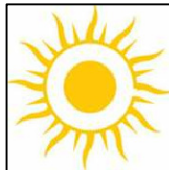
3 Phase Conductors:

- L1 - Black
- L2 - Red
- L3 - Blue
- Neutral - Grey
- Ground - Green

Conductor Notes:

1. Array to inverter conductors - USE-2 10 AWG protected from physical damage.
2. Inverter to sub-panel conductors (150' max.) - 6 AWG THHN in conduit (1" PVC).
3. Sub-panel to utility disconnect (350') home run - 250 kcmil copper or 400 kcmil aluminum in buried (24") conduit (3" PVC for copper, 4" for aluminum).
4. Conductor sizing based on total system voltage drop of <5%.
5. All equipment ground conductors - 6 AWG.
6. Neutral conductor for sub-panel to utility disconnect home run shall be the same size as the ungrounded conductors (250 kcmil copper or 400 kcmil aluminum).
7. All conductors shall be copper, except possible aluminum for utility home run.
8. RS485 communications cable - Belden 3105A or equivalent in buried PVC conduit.

Local Area Network (LAN) Connection
 to Provide Online System Monitoring via
 SMA Sunny Portal



Maine Solar Engineering
 Loring Development
 Authroity (LDA) 45 KW AC
 PV System 3 Line Schematic

PO Box 57
 Palermo, ME 04354
 207-993-2632

Rev. 2

10/15/12